

Product Specification Sheet #HD30.2

Heavy Duty Safety Switch

Type VBII

30 Amp, Type 1 (Indoor)

General Information

Catalog Number	Volts	Description	Shipping Weight (lbs.)
HF221N ①	240	2 Pole, 3 Wire, Fusible	12
HF321N	240	3 Pole, 4 Wire, Fusible	14
HF261	600	2 Pole, 2 Wire, Fusible	15
HF361	600	3 Pole, 3 Wire, Fusible	14
HF361N	600	3 Pole, 4 Wire, Fusible	14

Horsepower Ratings ② ③ - 240 Volts

Catalog Number	1 Phase, 240V AC		3 Phase, 240V AC		250V DC
	Std	Max	Std	Max	
HF221N	1½	3	3	7½	5
HF321N	1½	3	3	7½	5

Horsepower Ratings ② ③ ④ - 600 Volts

Catalog Number	3 Phase, 480V AC		3 Phase, 600V AC		600V DC
	Std	Max	Std	Max	
HF261	—	— ^⑤	—	— ^⑤	15
HF361	5	15	7½	20	—
HF361N	5	15	7½	20	—

Accessories

Catalog Number	Description
HA161234	One Normally Open and Closed Auxiliary Switches
HA261234	Two Normally Open and Closed Auxiliary Switches
HA361234	Low Voltage Auxiliary Switch
HG61234	Equipment Ground Lug Kit
HG261234	Isolated Equipment Ground Lug Kit
HP61	Fuse Puller (3 per kit)
HN612	Neutral Kit
HR21	240 Volt Class R Fuse Clip Kit (3 fuse clips per kit) (HF221N, HF321N)
HR612	600 Volt Class R Fuse Clip Kit (3 fuse clips per kit) (HF261, HF361, HF361N)
HLC612	Copper Lug Kit (9 lugs per kit)
HCL612	Compression Lug Neutral Barrier Kit

Replacement Parts

Catalog Number	Description
HFB21	240 Volt Line Side Replacement Base (HF221N, HF321N)
HBB21	240 Volt Load Side Replacement Base (HF221N, HF321N)
HFB612	600 Volt Line Side Replacement Base (HF261, HF361, HF361N)
HBB612	600 Volt Load Side Replacement Base (HF261, HF361, HF361N)
HH6123	Replacement Handle/Handle Guard
HL612	Replacement Lugs (3 lugs per kit)
HM6123	Replacement Mechanism
⑥	Replacement Door

① These switches are UL Listed for application on grounded B phase systems.

② Dual horsepower ratings:

Std - applies when non-time delay fuses are installed.

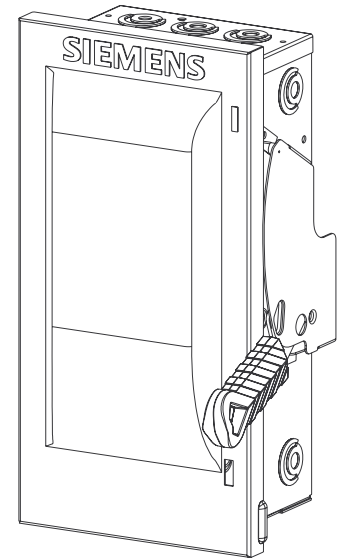
Max - applies when time-delay fuses are installed.

③ Horsepower ratings listed also apply to Design E motors with no derating.

④ Also rated 5HP at 250V DC.

⑤ Also rated 7½HP at 480V, 1 phase and 10HP at 600V, 1 phase.

⑥ Place "DOOR" at the end of the switch catalog number.



Standards and Ratings

- UL Listed under file #E4776
- Meets UL98 for switches and UL 50 for enclosures
- Meets NEMA Standard KS-1 for enclosed switches
- Meets NEC wire bending space requirements
- Rated 10,000 AIC with Class H fuses or 200,000 AIC with Class R and J fuses
- Rated 100,000 AIC at 600Vdc with Class R or J fuses
- I²t rated (Amps² x Seconds = 50,000)
- 12X overload current rating exceeds standard 10X industry standard
- Suitable for use as service entrance equipment

Features

- Quick-make and break switching action
- Double break visible blade design
- Highly visible ON/OFF indication
- Rugged installer friendly enclosure design
- Modular design allows quick and easy replacement of parts
- Front removable wire grips which can easily be converted to copper body or compression type lugs
- Defeatable dual cover interlock
- Tangential knockouts UL listed for bonding conduits for non-service entrance conductors

Mechanical Lug Wire Ranges (60/75°C, Cu/Al)

Description	Wire Range
Line, Load Neutral	#12-6 AWG (Al) or #14-6 AWG (Cu)
Ground	#14-4 AWG

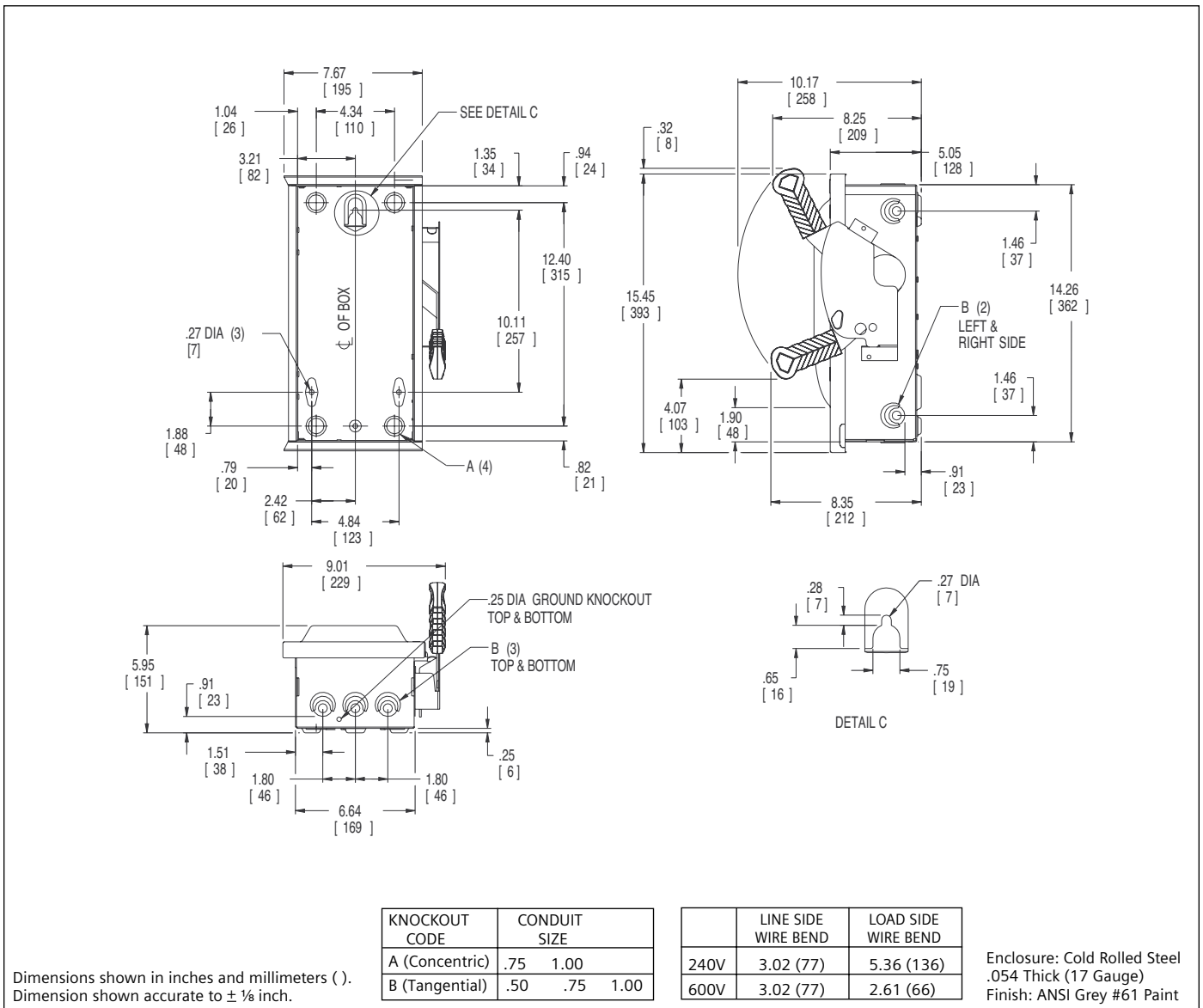
SIEMENS

Product Specification Sheet #HD30.2 (page 2)

Compression Lugs ①

Wire Size	Burndy		Thomas-Betts		IlSCO	
	CU ONLY	CU/AL	CU ONLY	CU/AL	CU ONLY	CU/AL
#14-10				60096 60097		
#8	YA8C-L BOX YA8C-L1 BOX		54104 54130	60101 60102 61102	CRA-8	ACL-8 ACN-8
#6				61107		

Dimension Drawing



① If compression lugs are used for the neutral, order compression lug neutral barrier kit HCL612.

Siemens Energy & Automation, Inc.
Distribution Products Division
3333 Old Milton Parkway
Alpharetta, GA 30005

For Nearest Sales Office
1.800.964.4114
www.sea.siemens.com/sales/salesoffices.html

For Product Information
1.800.964.4114
www.sea.siemens.com/power

©Siemens Energy & Automation, Inc.
Siemens is a registered trademark of Siemens AG
Specifications are subject to change without notice.

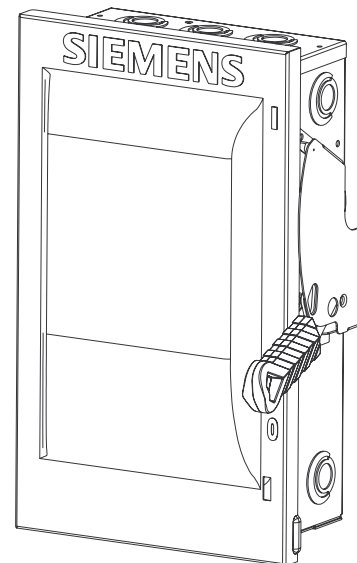
1M0805 B&A Printed in U.S.A.

Product Specification Sheet #HD60.1

Heavy Duty Safety Switches

Type VBII

60 Amp and Oversized 30A, Type 1 (Indoor)



General Information

Catalog Number	Amps	Volts	Description	Shipping Weight (lbs.)
HF361L	30	600	3 Pole, 3 Wire, Fusible	19
HF222N ①	60	240	2 Pole, 3 Wire, Fusible	18
HF322N	60	240	3 Pole, 4 Wire, Fusible	19
HF262	60	600	2 Pole, 2 Wire, Fusible	20
HF362	60	600	3 Pole, 3 Wire, Fusible	19
HF362N	60	600	3 Pole, 4 Wire, Fusible	19
HNF262	60	600	2 Pole, 2 Wire, Non-Fusible	19
HNF362	60	600	3 Pole, 3 Wire, Non-Fusible	18

Horsepower Ratings ②③ - 240 Volts

Catalog Number	1 Phase, 240V AC		3 Phase, 240V AC		250V DC
	Std	Max	Std	Max	
HF222N	3	10	7½	15	10
HF322N	3	10	7½	15	10

Horsepower Ratings ②③ - 600 Volts

Catalog Number	3 Phase, 480V AC		3 Phase, 600V AC		600V DC
	Std	Max	Std	Max	
HF361L	5	15	7½	20	—
HF262 ④	—⑤	—	—	—⑤	30
HF362 ④	15	30	15	50	25
HF362N ④	15	30	15	50	25
HNF262 ④	—⑤	—	—	—⑤	30
HNF362 ④⑥	—	50	—	60	25

Accessories

Catalog Number	Description
HA161234	One Normally Open and Closed Auxiliary Switches
HA261234	Two Normally Open and Closed Auxiliary Switches
HA361234	Low Voltage Auxiliary Switch
HG61234	Equipment Ground Lug Kit
HG261234	Isolated Equipment Ground Lug Kit
HP62	Fuse Puller (3 per kit) (HF222N, HF322N, HF262, HF362, HF362N)
HN623	Neutral Kit
HR612 ⑦	240 Volt Class R Fuse Clip Kit (3 fuse clips per kit) (HF222N, HF322N)
HR62	600 Volt Class R Fuse Clip Kit (3 fuse clips per kit) (HF262, HF362, HF362N)
HLC612	Copper Lug Kit (9 lugs per kit)
HCL623	Compression Lug Neutral Barrier Kit

Replacement Parts

Catalog Number	Description
HFB22 ⑦	Fusible 240 Volt Line Side Replacement Base (HF222N, HF322N)
HBB22 ⑦	Fusible 240 Volt Load Side Replacement Base (HF222N, HF322N)
HFB62	Fusible 600 Volt Line Side Replacement Base (HF262, HF362, HF362N)
HBB62	Fusible 600 Volt Load Side Replacement Base (HF262, HF362, HF362N)
HNB623	Non-Fusible 600 Volt Replacement Base (HNF262, HNF362)
HH6123	Replacement Handle/Handle Guard
HL612	Replacement Lugs (3 lugs per kit)
HM6123	Replacement Mechanism
⑧	Replacement Door

① These switches are UL Listed for application on grounded B phase systems.

② Dual horsepower ratings: Std - applies when non-time delay fuses are installed. Max - applies when time-delay fuses are installed.

③ Horsepower ratings listed also apply to Design E motors with no derating.

④ 60A switches also rated 10HP at 250V DC.

⑤ 60A switches also rated 20HP at 480V and 25HP at 600V, 1 phase.

⑥ 60A switches also rated 20HP on 3Ø, 240V AC systems.

⑦ Also 30A, 600V for HF361L.

⑧ Place "DOOR" at the end of the switch catalog number.

Standards and Ratings

- UL Listed under file #E4776
- Meets UL98 for switches and UL 50 for enclosures
- Meets NEMA Standard KS-1 for enclosed switches
- Meets NEC wire bending space requirements
- Rated 10,000 AIC with Class H fuses or 200,000 AIC with Class R and J fuses
- 60A switches rated 10,000 AIC at 600Vdc with Class R or J fuses
- I²t rated (Amps² x Seconds = 200,000)
- 12X overload current rating exceeds standard 10X industry standard
- Suitable for use as service entrance equipment

Features

- Quick-make and break switching action
- Double break visible blade design
- Highly visible ON/OFF indication
- Rugged installer friendly enclosure design
- Modular design allows quick and easy replacement of parts
- Front removable lugs which can easily be converted to copper body or compression type lugs
- Defeatable dual cover interlock

Mechanical Lug Wire Ranges (60/75°C, Cu/Al)

Description	Wire Range
Line, Load	#12-2 AWG (Al)
Neutral	or #14-2 AWG (Cu)
Ground	#14-4 AWG

SIEMENS

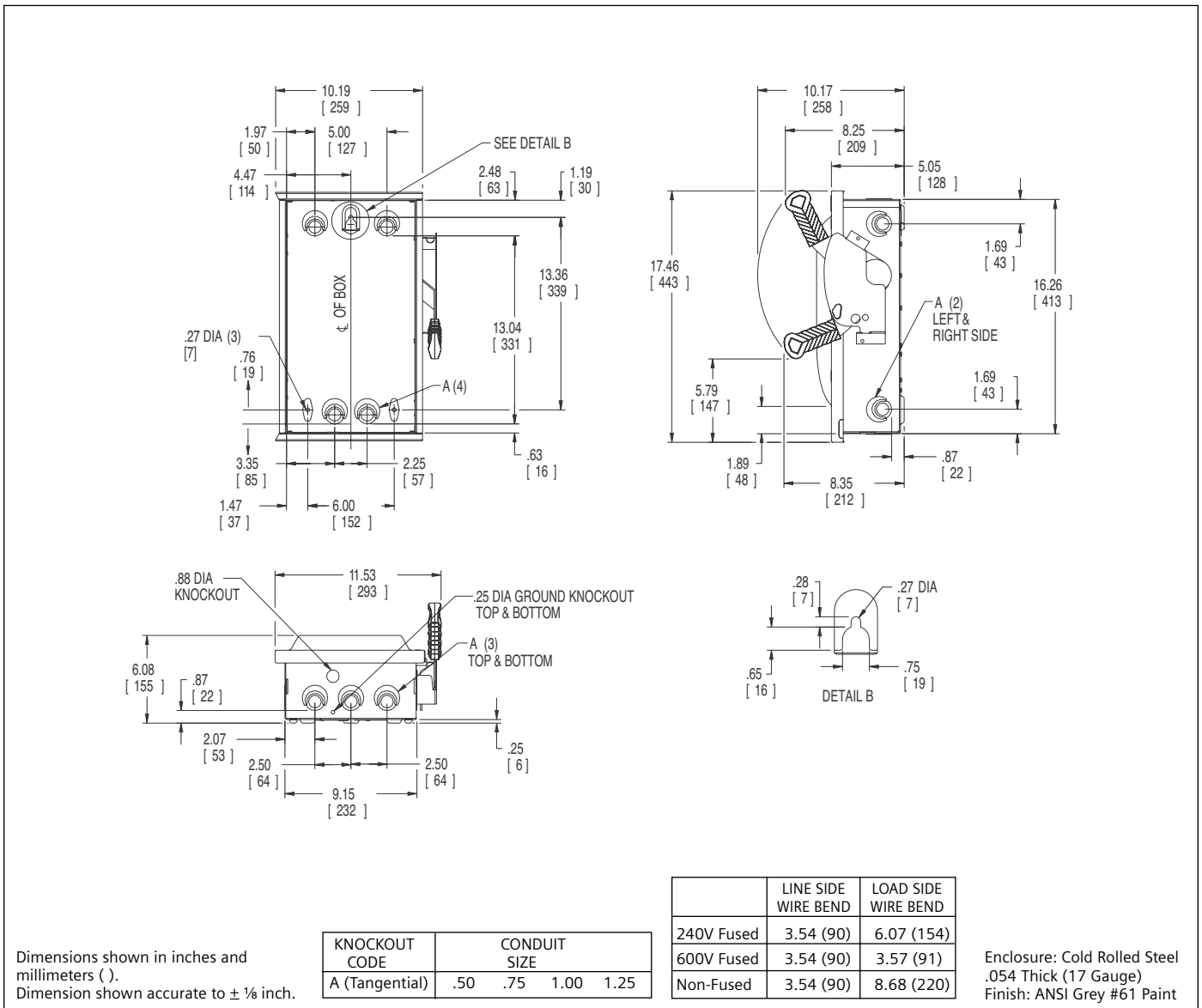
Product Specification Sheet #HD60.1 (page 2)

Compression Lugs ①

Wire Size	Burndy		Thomas-Betts		IlSCO	
	CU ONLY	CU/AL	CU ONLY	CU/AL	CU ONLY	CU/AL
#14-10			256-30695-1352	60097		
#8	YA8C-L1 BOX YA8C-TC14	YA8CA3	54130 54930BE	60102 61102		ACL-8
#6	YA6C-L BOX YA6C	YA6CA1	54105 54905BE	60107 61107	CRB-6 CRB-6L	ACL-6
#4			54106	61112	CRB-4	

① If compression lugs are used for the neutral, order compression lug neutral barrier kit HCL623.

Dimension Drawing



Dimensions shown in inches and millimeters ().
Dimension shown accurate to ± 1/16 inch.

KNOCKOUT CODE	CONDUIT SIZE			
	.50	.75	1.00	1.25
A (Tangential)				

	LINE SIDE WIRE BEND	LOAD SIDE WIRE BEND
240V Fused	3.54 (90)	6.07 (154)
600V Fused	3.54 (90)	3.57 (91)
Non-Fused	3.54 (90)	8.68 (220)

Enclosure: Cold Rolled Steel
.054 Thick (17 Gauge)
Finish: ANSI Grey #61 Paint

Siemens Energy & Automation, Inc.
Distribution Products Division
3333 Old Milton Parkway
Alpharetta, GA 30005

For Nearest Sales Office
1.800.964.4114
www.sea.siemens.com/sales/salesoffices.html

For Product Information
1.800.964.4114
www.sea.siemens.com/power

©Siemens Energy & Automation, Inc.
Siemens is a registered trademark of Siemens AG
Specifications are subject to change without notice.

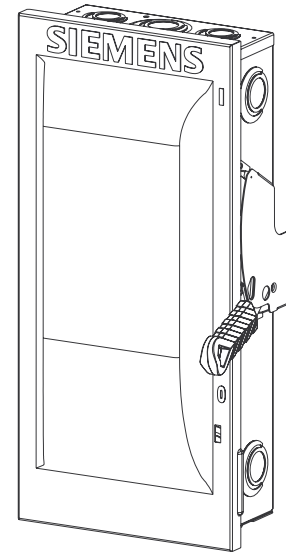
1M0805 B&A Printed in U.S.A.

Product Specification Sheet #HD100.1

Heavy Duty Safety Switch

Type VBII

100 Amp, Type 1 (Indoor)



General Information

Catalog Number	Volts	Description	Shipping Weight (lbs.)
HF223N ①	240	2 Pole, 3 Wire, Fusible	23
HF323N	240	3 Pole, 4 Wire, Fusible	25
HF263	600	2 Pole, 2 Wire, Fusible	26
HF363	600	3 Pole, 3 Wire, Fusible	24
HF363N	600	3 Pole, 4 Wire, Fusible	25
HNF263	600	2 Pole, 2 Wire, Non-Fusible	25
HNF363	600	3 Pole, 3 Wire, Non-Fusible	23

Horsepower Ratings ②③ - 240 Volts

Catalog Number	1 Phase, 240V AC		3 Phase, 240V AC		250V DC
	Std	Max	Std	Max	
HF223N	7½	15	15	30	20
HF323N	7½	15	15	30	20

Horsepower Ratings ②③④ - 600 Volts

Catalog Number	3 Phase, 480V AC		3 Phase, 600V AC		600V DC
	Std	Max	Std	Max	
HF263	—	— ^⑤	—	— ^⑤	50
HF363	25	60	30	75	25
HF363N	25	60	30	75	25
HNF263	—	— ^⑤	—	— ^⑤	50
HNF363 ⑥	—	75	—	100	25

Accessories

Catalog Number	Description
HA161234	One Normally Open and Closed Auxiliary Switches
HA261234	Two Normally Open and Closed Auxiliary Switches
HA361234	Low Voltage Auxiliary Switch
HG61234	Equipment Ground Lug Kit
HG261234	Isolated Equipment Ground Lug Kit
HP63	Fuse Puller (3 per kit) (HF223N, HF323N, HF263, HF363, HF363N)
HN623	Neutral Kit
HR63	Class R Fuse Clip Kit (3 fuse clips per kit) (HF223N, HF323N, HF263, HF363, HF363N)
HT23	240 Volt Class T Fuse Clip Kit (1-Pole per kit) (HF223N, HF323N)
HT63	600 Volt Class T Fuse Clip Kit (1-Pole per kit) (HF263, HF363, HF363N)
HLC63	Copper Lug Kit (9 lugs per kit)
HCL623	Compression Lug Neutral Barrier Kit

Replacement Parts

Catalog Number	Description
HFB63	Fusible Line Side Replacement Base (HF223N, HF323N, HF263, HF363, HF363N)
HBB63	Fusible Load Side Replacement Base (HF223N, HF323N, HF263, HF363, HF363N)
HNB623	Non-Fusible Replacement Base (HNF263, HNF363)
HH6123	Replacement Handle/Handle Guard
HL63	Replacement Lugs (3 lugs per kit)
HM6123	Replacement Mechanism
⑦	Replacement Door

① These switches are UL Listed for application on grounded B phase systems.

② Dual horsepower ratings:

Std - applies when non-time delay fuses are installed.

Max - applies when time-delay fuses are installed.

③ Horsepower ratings listed also apply to Design E motors with no derating.

④ Also rated 20HP at 250V DC.

⑤ Also rated 30HP at 480V and 40HP at 600V, 1 phase.

⑥ Also rated 40HP on 3phase, 240V AC systems.

⑦ Place "DOOR" at the end of the switch catalog number.

Standards and Ratings

- UL Listed under file #E4776
- Meets UL98 for switches and UL 50 for enclosures
- Meets NEMA Standard KS-1 for enclosed switches
- Meets NEC wire bending space requirements
- Rated 10,000 AIC with Class H fuses or 200,000 AIC with Class R, T and J fuses
- Rated 100,000 AIC at 600Vdc with Class R or J fuses
- I²t rated (Amps² x Seconds = 500,000)
- 12X overload current rating exceeds standard 10X industry standard
- Suitable for use as service entrance equipment

Features

- Quick-make and break switching action
- Double break visible blade design
- Highly visible ON/OFF indication
- Rugged installer friendly enclosure design
- Modular design allows quick and easy replacement of parts
- Front removable lugs which can easily be converted to copper body or compression type lugs
- Defeatable dual cover interlock

Mechanical Lug Wire Ranges (60/75°C, Cu/Al)

Description	Wire Range
Line, Load Neutral	#12-1/0 (Al) AWG or #14-1/0 (Cu) AWG
Ground	#14-4 AWG

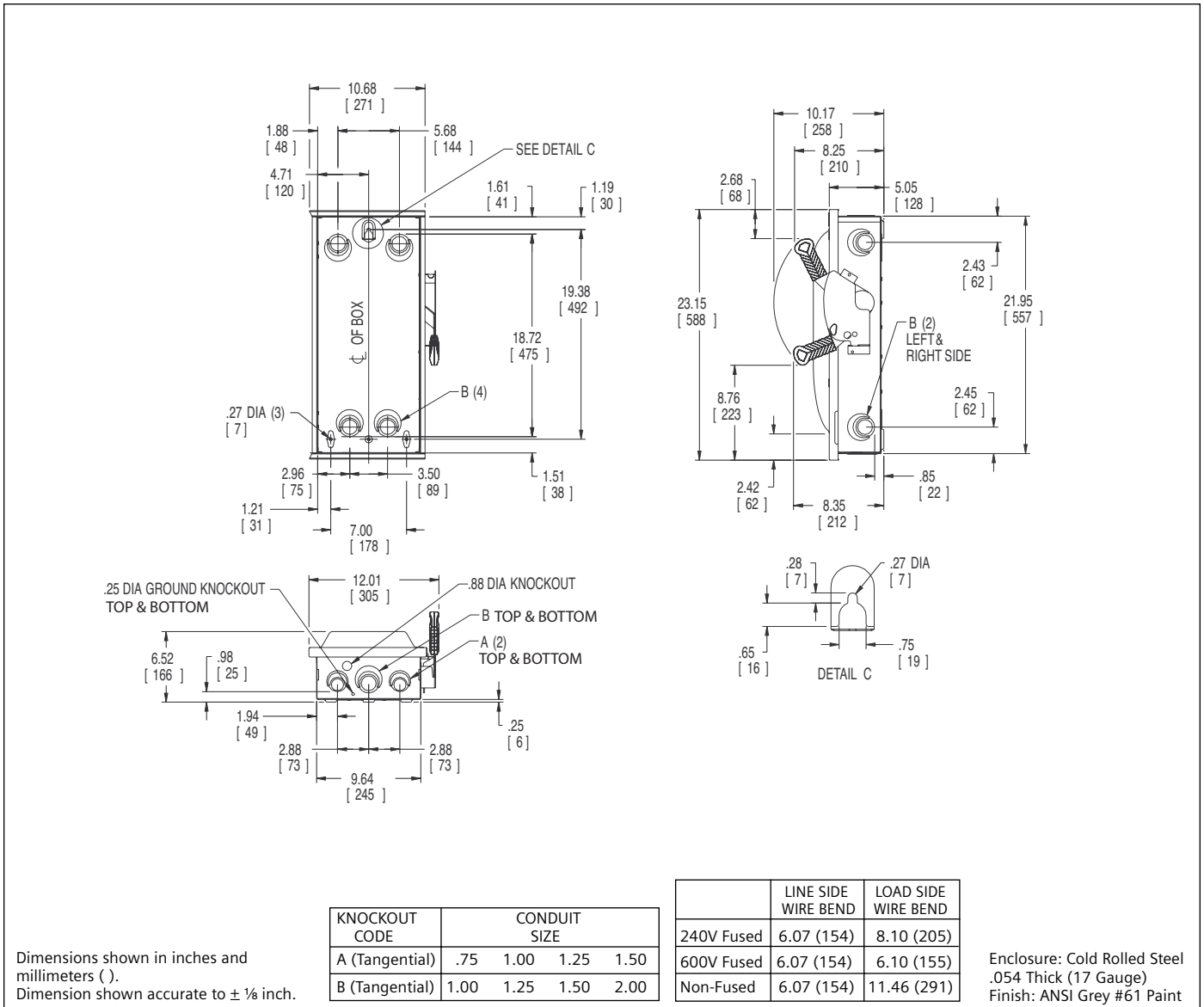
SIEMENS

Product Specification Sheet #HD100.1 (page 2)

Compression Lugs ①

Wire Size	Burndy		Thomas-Betts		IlSCO	
	CU ONLY	CU/AL	CU ONLY	CU/AL	CU ONLY	CU/AL
#6	YA6C-L BOX YA6C	YA6CA1	54105 54905BE	61107 60107	CRB-6 CRB-6L	ACL-6
#4	YA4C-L BOX YA4C	YA4CA1	54106 54906BE	61112 60112	CRB-4 CRB-4L	ACL-4
#2	YA2C-L2 BOX YA2C	YA2CA5	54107	61116	CRB-2 CRB-2L	ACL-2
#1	YA1C-L2 YA1C		54108 54947BE	61122	CRB-1-14 CRA-1L	
1/0				61130		

Dimension Drawing



① If compression lugs are used for the neutral, order compression lug neutral barrier kit HCL623.

Siemens Energy & Automation, Inc.
Distribution Products Division
3333 Old Milton Parkway
Alpharetta, GA 30005

For Nearest Sales Office
1.800.964.4114
www.sea.siemens.com/sales/salesoffices.html

For Product Information
1.800.964.4114
www.sea.siemens.com/power

©Siemens Energy & Automation, Inc.
Siemens is a registered trademark of Siemens AG
Specifications are subject to change without notice.

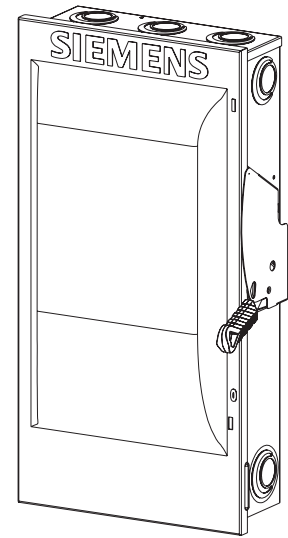
1M0805 B&A Printed in U.S.A.

Product Specification Sheet #HD200.1

Heavy Duty Safety Switch

Type VBII

200 Amp, Type 1 (Indoor)



General Information

Catalog Number	Volts	Description	Shipping Weight (lbs.)
HF224N ①	240	2 Pole, 3 Wire, Fusible	47
HF324N	240	3 Pole, 4 Wire, Fusible	49
HF364	600	3 Pole, 3 Wire, Fusible	48
HF364N	600	3 Pole, 4 Wire, Fusible	49
HNF364	600	3 Pole, 3 Wire, Non-Fusible	46

Horsepower Ratings ② ③ - 240 Volts

Catalog Number	1 Phase, 240V AC		3 Phase, 240V AC		250V DC
	Std	Max	Std	Max	
HF224N	15	—	25	60	40
HF324N	15	—	25	60	40

Horsepower Ratings ② ③ - 600 Volts

Catalog Number	3 Phase, 480V AC		3 Phase, 600V AC		600V DC
	Std	Max	Std	Max	
HF364	50	125	60	150	50
HF364N	50	125	60	150	50
HNF364 ④	—	125	—	150	50

Accessories

Catalog Number	Description
HA161234	One Normally Open and Closed Auxiliary Switches
HA261234	Two Normally Open and Closed Auxiliary Switches
HA361234	Low Voltage Auxiliary Switch
HG61234	Equipment Ground Lug Kit
HG261234	Isolated Equipment Ground Lug Kit
HN64	Neutral Kit
HN264	200% Neutral Kit
HT24	240 Volt Class T Fuse Clip Kit (1-Pole per kit) (HF224N, HF324N)
HT64	600 Volt Class T Fuse Clip Kit (1-Pole per kit) (HF364, HF364N)
HR64	Class R Fuse Clip Kit (3 fuse clips per kit) (HF224N, HF324N, HF364, HF364N)
HLC64	Copper Lug Kit (9 lugs per kit)

Replacement Parts

Catalog Number	Description
HFB64	Fusible Line Side Replacement Base (HF224N, HF324N, HF364, HF364N)
HBB64	Fusible Load Side Replacement Base (HF224N, HF324N, HF364, HF364N)
HNB64	Non-Fusible Replacement Base (HNF364)
HH64	Replacement Handle/Handle Guard
HL64	Replacement Lugs (3 lugs per kit)
HM64	Replacement Mechanism
⑤	Replacement Door

- ① These switches are UL Listed for application on grounded B phase systems.
- ② Dual horsepower ratings:
Std - applies when non-time delay fuses are installed.
Max - applies when time-delay fuses are installed.
- ③ Horsepower ratings listed also apply to Design E motors with no derating.
- ④ Also rated 60 HP on 3 phase, 240V AC systems.
- ⑤ Place "DOOR" at the end of the switch catalog number.

Standards and Ratings

- UL Listed under file #E4776
- Meets UL98 for switches and UL 50 for enclosures
- Meets NEMA Standard KS-1 for enclosed switches
- Meets NEC wire bending space requirements
- Rated 10,000 AIC with Class H fuses or 200,000 AIC with Class R, T and J fuses
- Rated 100,000 AIC at 600Vdc with Class R or J fuses
- I²t rated (Amps² x Seconds = 2,000,000)
- 12X overload current rating exceeds standard 10X industry standard
- Suitable for use as service entrance equipment

Features

- Quick-make and break switching action
- Double break visible blade design
- Highly visible ON/OFF indication
- Rugged installer friendly enclosure design
- Modular design allows quick and easy replacement of parts
- Front removable lugs which can easily be converted to copper body or compression type lugs
- Defeatable dual cover interlock

Mechanical Lug Wire Ranges (75°C, Cu/Al)

Description	Wire Range
Line, Load Neutral	#6 AWG - 300 Kcmil
200% and Standard Neutral Ground	#14-1/0AWG
Ground Lug Kit	#14-4 AWG
200% Neutral	(2) #6 AWG - 300 Kcmil

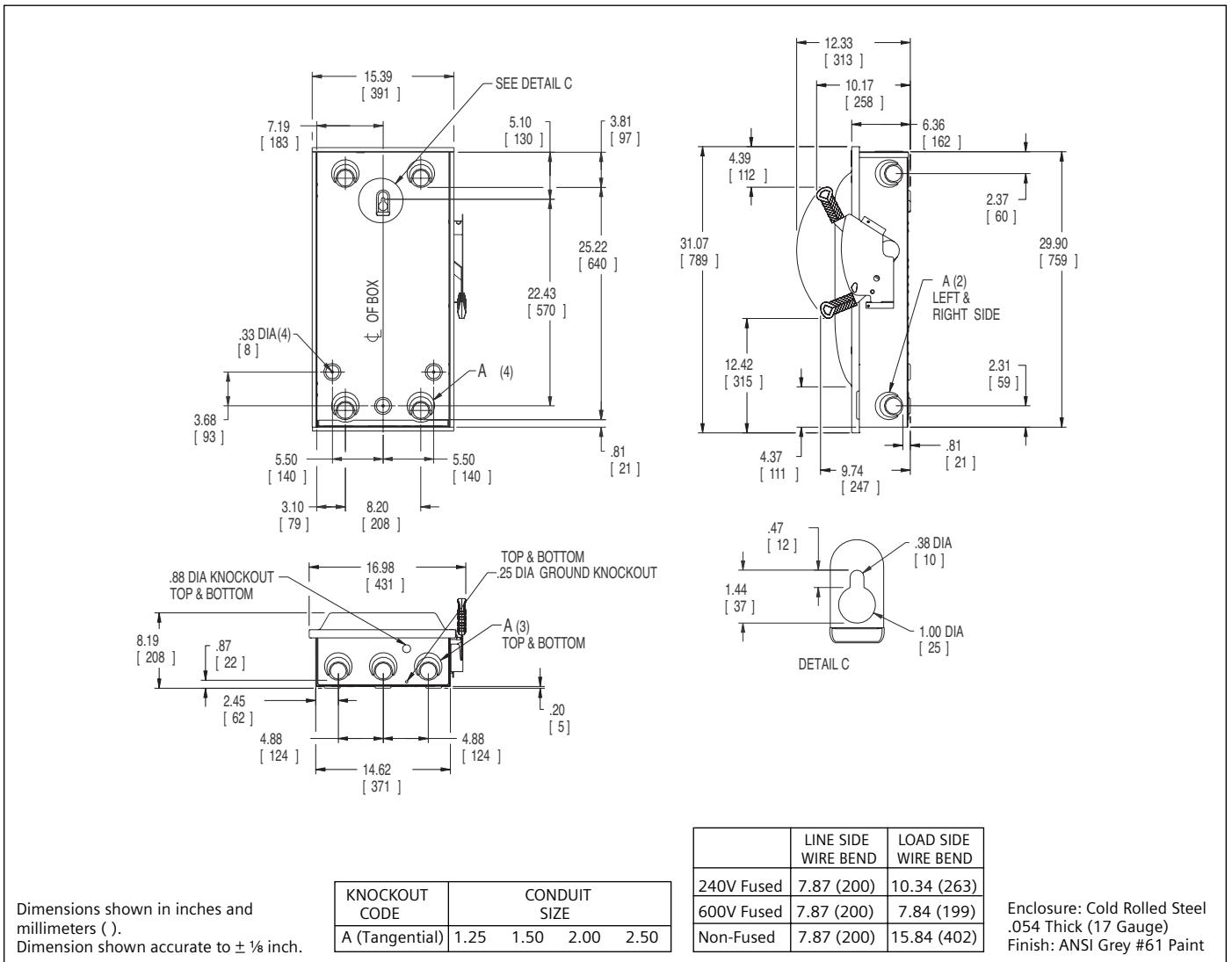
SIEMENS

Product Specification Sheet #HD200.1 (page 2)

Compression Lugs

Wire Size	Burdny		Thomas-Betts		IlSCO	
	CU ONLY	CU/AL	CU ONLY	CU/AL	CU ONLY	CU/AL
#2	YA2C-L Box YA2C	YA2CA1	54142-TB	60117	CRB-2 CRB-2L	IACL-2 ACN-2
#1	YA1C-L Box YA1C	YA1CA1	54147 54947BE	60123	CRA-1-38 CRA-1L	ACN-1
1/0	YA25-L Box YA25	YA25A1	54153-TB 54949BE	60129 61130	CRA-0 CRA-1/0L	IACL-1/0 ACN-1/0
2/0	YA26-L3 YA26	YA26A6	54158 256-30695-1229 54910BE	60135 61136	CRA-2/0 CRA-2/0L	ACL-2/0 IACL-2/0
3/0	YA27-L3 YA27	YA27A1	54163-TB	60141 61142	CRC-3/0 CRB-3/0L	IACL-3/0 ACL-3/0
4/0	YA28-L3 YA28-TC38	YA28A1	54168 256-30695-1253	61148 60147	CRC-4/0 CRB-4/0L	IACL-4/0 ACL-4/0
250 Kcmil	YA29-L7		54173 54913BE	61156	CRA-250 CRA-250L	IACL-250
300 Kcmil				61162		

Dimension Drawing



Siemens Energy & Automation, Inc.
Distribution Products Division
3333 Old Milton Parkway
Alpharetta, GA 30005

For Nearest Sales Office
1.800.964.4114
www.sea.siemens.com/sales/salesoffices.html

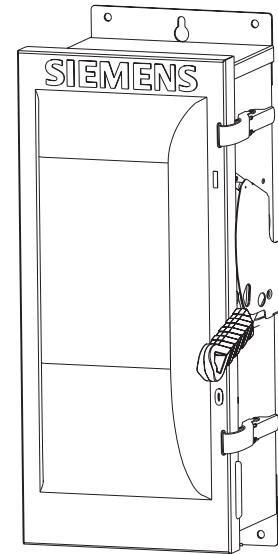
For Product Information
1.800.964.4114
www.sea.siemens.com/power

Product Specification Sheet #HD200.2

Heavy Duty Safety Switch

Type VBII

200 Amp, Type 12 (Industrial) ①



General Information

Catalog Number	Volts	Description	Shipping Weight (lbs.)
HF224J	240	2 Pole, 2 Wire, Fusible	48
HF324J	240	3 Pole, 3 Wire, Fusible	49
HF364J	600	3 Pole, 3 Wire, Fusible	49
HNF364J	600	3 Pole, 3 Wire, Non-Fusible	47

Horsepower Ratings ②③ - 240 Volts

Catalog Number	1 Phase, 240V AC		3 Phase, 240V AC		250V DC
	Std	Max	Std	Max	
HF224J	15	—	25	60	40
HF324J	15	—	25	60	40

Horsepower Ratings ②③ - 600 Volts

Catalog Number	3 Phase, 480V AC		3 Phase, 600V AC		600V DC
	Std	Max	Std	Max	
HF364J	50	125	60	150	50
HNF364J ④	—	125	—	150	50

Accessories

Catalog Number	Description
HA161234	One Normally Open and Closed Auxiliary Switches
HA261234	Two Normally Open and Closed Auxiliary Switches
HA361234	Low Voltage Auxiliary Switch
HG61234	Equipment Ground Lug Kit
HG261234	Isolated Equipment Ground Lug Kit
HN64	Neutral Kit
HN264	200% Neutral Kit
HT24	240 Volt Class T Fuse Clip Kit (1-Pole per kit) (HF224J, HF324J)
HT64	600 Volt Class T Fuse Clip Kit (1-Pole per kit) (HF364J)
HR64	Class R Fuse Clip Kit (3 fuse clips per kit) (HF224J, HF324J, HF364J)
HLC64	Copper Lug Kit (9 lugs per kit)
SSH200	2.00" Type 12 Hub

Replacement Parts

Catalog Number	Description
HFB64	Fusible Line Side Replacement Base (HF224J, HF324J, HF364J)
HBB64	Fusible Load Side Replacement Base (HF224J, HF324J, HF364J)
HNB64	Non-Fusible Replacement Base (HNF364J)
HH64	Replacement Handle/Handle Guard
HL64	Replacement Lugs (3 lugs per kit)
HM64	Replacement Mechanism
⑤	Replacement Door

① Also rated 3R/3S for outdoor use.

② Dual horsepower ratings:

Std - applies when non-time delay fuses are installed.

Max - applies when time-delay fuses are installed.

③ Horsepower ratings listed also apply to Design E motors with no derating.

④ Also rated 60 HP on 3 phase, 240V AC systems.

⑤ Place "DOOR" at the end of the switch catalog number.

Standards and Ratings

- UL Listed under file #E4776
- Meets UL98 for switches and UL 50 for enclosures
- Meets NEMA Standard KS-1 for enclosed switches
- Meets NEC wire bending space requirements
- Rated 10,000 AIC with Class H fuses or 200,000 AIC with Class R, T and J fuses
- Rated 100,000 AIC at 600Vdc with Class R or J fuses
- I²t rated (Amps² x Seconds = 2,000,000)
- 12X overload current rating exceeds standard 10X industry standard
- Suitable for use as service entrance equipment

Features

- Quick-make and break switching action
- Double break visible blade design
- Highly visible ON/OFF indication
- Rugged installer friendly enclosure design
- Modular design allows quick and easy replacement of parts
- Front removable lugs which can easily be converted to copper body or compression type lugs
- Defeatable dual cover interlock

Mechanical Lug Wire Ranges (75°C, Cu/Al)

Description	Wire Range
Line, Load Neutral	#6 AWG - 300 Kcmil
200% and Standard Neutral Ground	#14-1/0AWG
Ground Lug Kit	#14-4 AWG
200% Neutral	(2) #6 AWG - 300 Kcmil

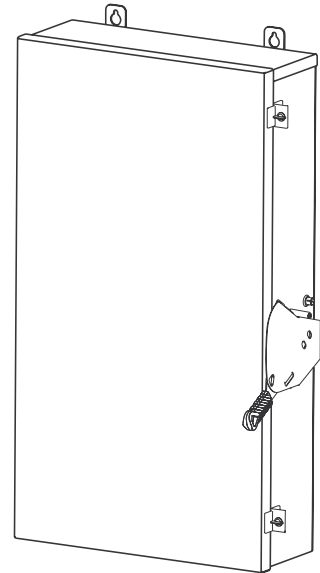
SIEMENS

Product Specification Sheet #HD400.3

Heavy Duty Safety Switch

Type VBII

400 Amp, Type 12 (Industrial) ^①



General Information

Catalog Number	Volts	Description	Shipping Weight (lbs.)
HNF265J	600	2 Pole, 2 Wire, Non-Fusible	114
HNF365J	600	3 Pole, 3 Wire, Non-Fusible	119

Horsepower Ratings ^{②③} - 600 Volts

Catalog Number	3 Phase, 480V AC		3 Phase, 600V AC		600V DC
	Std	Max	Std	Max	
HNF265J	—	—	—	—	50
HNF365J ^{④⑤}	—	250	—	350	—

Accessories

Catalog Number	Description
HA165678	One Normally Open and Closed Auxiliary Switches
HA265678	Two Normally Open and Closed Auxiliary Switches
HA365678	Low Voltage Auxiliary Switch
HG656	Equipment Ground Lug Kit
HG2656	Isolated Equipment Ground Lug Kit
HN656	Standard and 200% Neutral Kit
HLC65678	Copper Lug Kit (1 lug per kit)
HCL65	Compression Lug Mounting Kit (1 kit/pole required, allows (1) lug/Ø)

Replacement Parts

Catalog Number	Description
HNB656 ^{⑥⑦}	Non-Fusible Replacement Base
HH65678	Replacement Handle/Handle Guard
HL65678 ^⑥	Replacement Lug (1 lug per kit)
HM65	Replacement Mechanism
^⑧	Replacement Door

Mechanical Lug Wire Ranges (60/75°C, Cu/Al)

Description	Wire Range
Line, Load	1/0 AWG - 750 Kcmil or (2) 1/0 AWG - 250 Kcmil
Standard and 200% Neutral Ground	(2) #6 AWG - 250 Kcmil
Standard and 200% Neutral	(2) #1/0 AWG - 750 Kcmil

^① Also rated 3R/3S for outdoor use.

^② Dual horsepower ratings:

Std - applies when non-time delay fuses are installed.

Max - applies when time-delay fuses are installed.

^③ Horsepower ratings listed also apply to Design E motors with no derating.

^④ Also rated 125HP on 3Ø, 240V AC systems.

^⑤ Rated 50HP on 250V DC systems.

^⑥ Lugs are not provided on the Replacement Base Assembly. Order Lug Kit.

^⑦ Replacement Base contains one pole.

^⑧ Place "DOOR" at the end of the switch catalog number.

Standards and Ratings

- UL Listed under file #E4776
- Meets UL98 for switches and UL 50 for enclosures
- Meets NEMA Standard KS-1 for enclosed switches
- Meets NEC wire bending space requirements
- Rated 10,000 AIC as standard or 200,000 AIC when protected by Class R, T or J fuses rated 400 amp maximum
- 12X overload current rating exceeds standard 10X industry standard
- Suitable for use as service entrance equipment

Features

- Quick-make and break switching action
- Visible blade design
- Highly visible ON/OFF indication
- Modular design allows quick and easy replacement of parts
- Front removable lugs which can easily be converted to copper body or compression type lugs
- Defeatable dual cover interlock

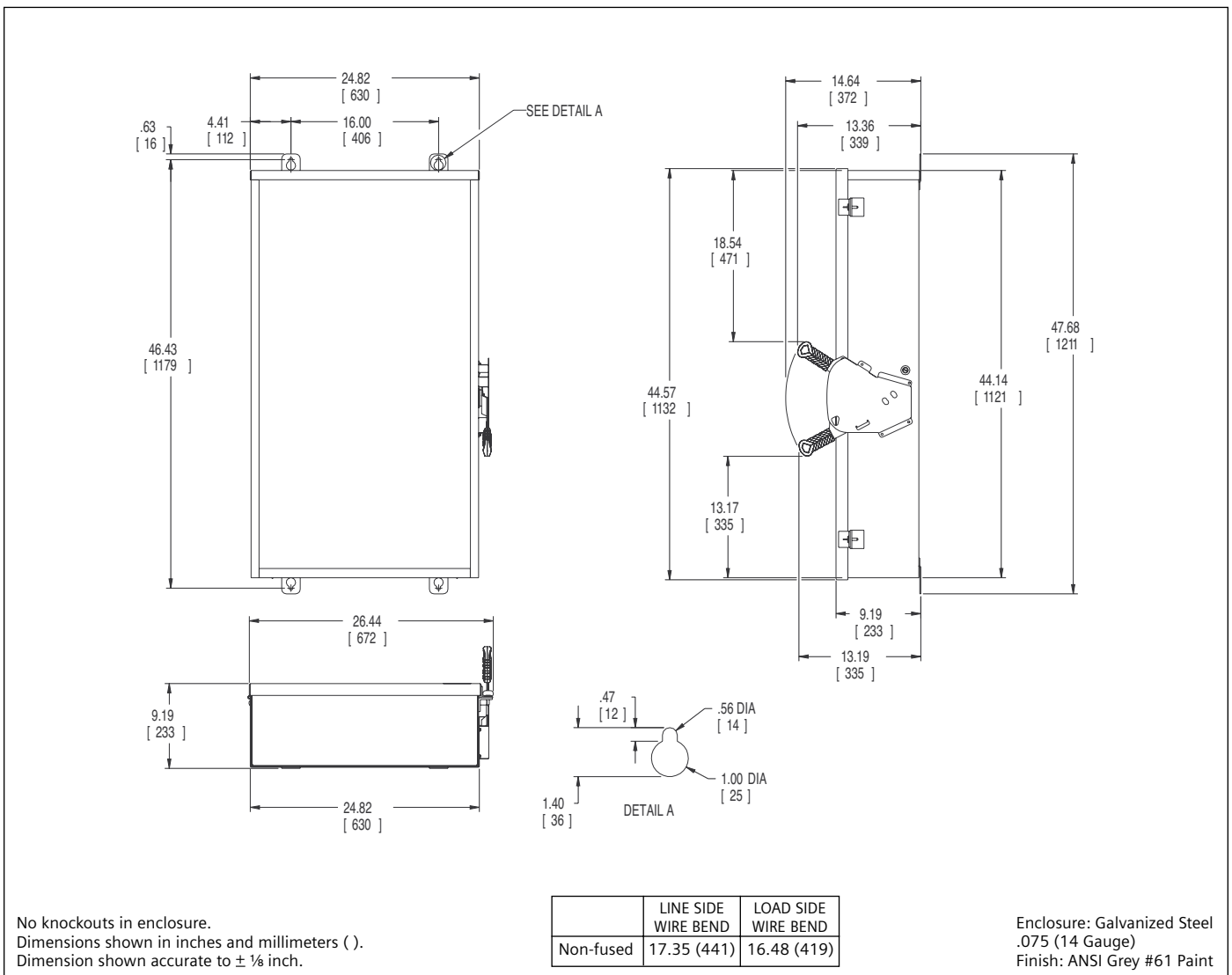
SIEMENS

Product Specification Sheet #HD400.3 (page 2)

Compression Lugs ①

Wire Size	Burndy		Thomas-Betts		Ilsco	
	CU ONLY	CU/AL	CU ONLY	CU/AL	CU ONLY	CU/AL
2/0	YA26-N	YA26-A1	54160 54951BE			IACL-2/0 ACN-2/0
3/0	YA27-L Box YA27	YA27A3	54165-TB 54965BE		CRB-3/0 CRB-3/OL	IACL-3/0 ACN-3/0
4/0	YA28-L Box YA28	YA28A3	54170 54970BE	60150	CRB-4/0 CRB-4/OL	IACL-4/0 ACN-4/0
250 Kcmil	YA29-L Box YA29	YA29A1	54113 54913BE	61156 60156	CRA-250 CRA-250L	IACL-250 ACL-250
300 Kcmil	YA30-L YA30	YA30A1	54114 54914BE	61162 60162	CRA-300 CRA-300L	IACL-300 ACL-300
350 Kcmil	YA31-L YA31	YA31A1	54915BE	61165 60165	CRA-350 CRA-350L	IACL-350 ACL-350
400 Kcmil	YA32-N		54116 54916BE			
500 Kcmil	YA34-L6 YA34-N			61171		IACL-500

Dimension Drawing



① If compression lugs are used, order compression lug mounting kit HCL65.

Siemens Energy & Automation, Inc.
Distribution Products Division
3333 Old Milton Parkway
Alpharetta, GA 30005

For Nearest Sales Office
1.800.964.4114
www.sea.siemens.com/sales/salesoffices.html

For Product Information
1.800.964.4114
www.sea.siemens.com/power

©Siemens Energy & Automation, Inc.
Siemens is a registered trademark of Siemens AG
Specifications are subject to change without notice.

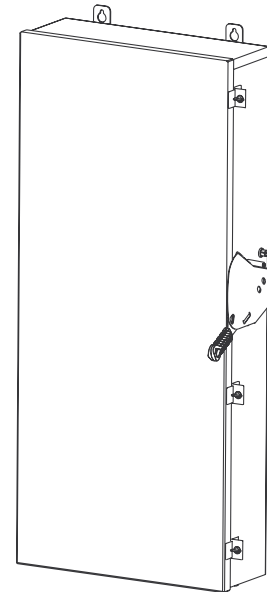
1M0805 B&A Printed in U.S.A.

Product Specification Sheet #HD400.4

Heavy Duty Safety Switch

Type VBII

400 Amp, Type 12 (Industrial) ^①



General Information

Catalog Number	Volts	Description	Shipping Weight (lbs.)
HF325J	240	3 Pole, 3 Wire, Fusible	160
HF265J	600	2 Pole, 2 Wire, Fusible	155
HF365J	600	3 Pole, 3 Wire, Fusible	160

Horsepower Ratings ^{②③} - 240 Volts

Catalog Number	1 Phase, 240V AC		3 Phase, 240V AC		250V DC
	Std	Max	Std	Max	
HF325J	15	15	50	125	50

Horsepower Ratings ^{②③} - 600 Volts

Catalog Number	3 Phase, 480V AC		3 Phase, 600V AC		600V DC
	Std	Max	Std	Max	
HF265J	—	—	—	—	50
HF365J ^④	100	250	125	350	—

Accessories

Catalog Number	Description
HA165678	One Normally Open and Closed Auxiliary Switches
HA265678	Two Normally Open and Closed Auxiliary Switches
HA365678	Low Voltage Auxiliary Switch
HG656	Equipment Ground Lug Kit
HG2656	Isolated Equipment Ground Lug Kit
HN656	Standard and 200% Neutral Kit
HR656	Class R Fuse Clip Kit (3 fuse clips per kit)
HLC65678	Copper Lug Kit (1 lug per kit)
HCL65	Compression Lug Mounting Kit (1 kit/pole required, allows (1) lug/Ø)

Replacement Parts

Catalog Number	Description
HFB656 ^{⑤⑥}	Fusible Line Side Replacement Base
HBB656 ^{⑤⑥}	Fusible Load Side Replacement Base
HH65678	Replacement Handle/Handle Guard
HL65678 ^⑥	Replacement Lug (1 lug per kit)
HM65	Replacement Mechanism
^⑦	Replacement Door

Mechanical Lug Wire Ranges (60/75°C, Cu/Al)

Description	Wire Range
Line, Load	1/0 AWG - 750 Kcmil or (2) 1/0 AWG - 250 Kcmil
Standard and 200% Neutral Ground	(2) #6 AWG - 250 Kcmil
Standard and 200% Neutral	(2) #1/0 AWG - 750 Kcmil

^① Also rated 3R/3S for outdoor use.

^② Dual horsepower ratings:

Std - applies when non-time delay fuses are installed.

Max - applies when time-delay fuses are installed.

^③ Horsepower ratings listed also apply to Design E motors with no derating.

^④ Rated 50HP on 250V DC systems.

^⑤ Each Line and Load Replacement Base contains one pole.

^⑥ Lugs are not provided on Line and Load Replacement Base Assemblies. Order Lug Kit.

^⑦ Place "DOOR" at the end of the switch catalog number.

Standards and Ratings

- UL Listed under file #E4776
- Meets UL98 for switches and UL 50 for enclosures
- Meets NEMA Standard KS-1 for enclosed switches
- Meets NEC wire bending space requirements
- Rated 10,000 AIC with Class H fuses or 200,000 AIC with Class R, J and T fuses
- Rated 100,000 AIC at 600Vdc with Class R or J fuses
- I²t rated (Amps² x Seconds = 6,000,000)
- 12X overload current rating exceeds standard 10X industry standard
- Suitable for use as service entrance equipment

Features

- Quick-make and break switching action
- Visible blade design
- Highly visible ON/OFF indication
- Modular design allows quick and easy replacement of parts
- Front removable lugs which can easily be converted to copper body or compression type lugs
- Defeatable dual cover interlock

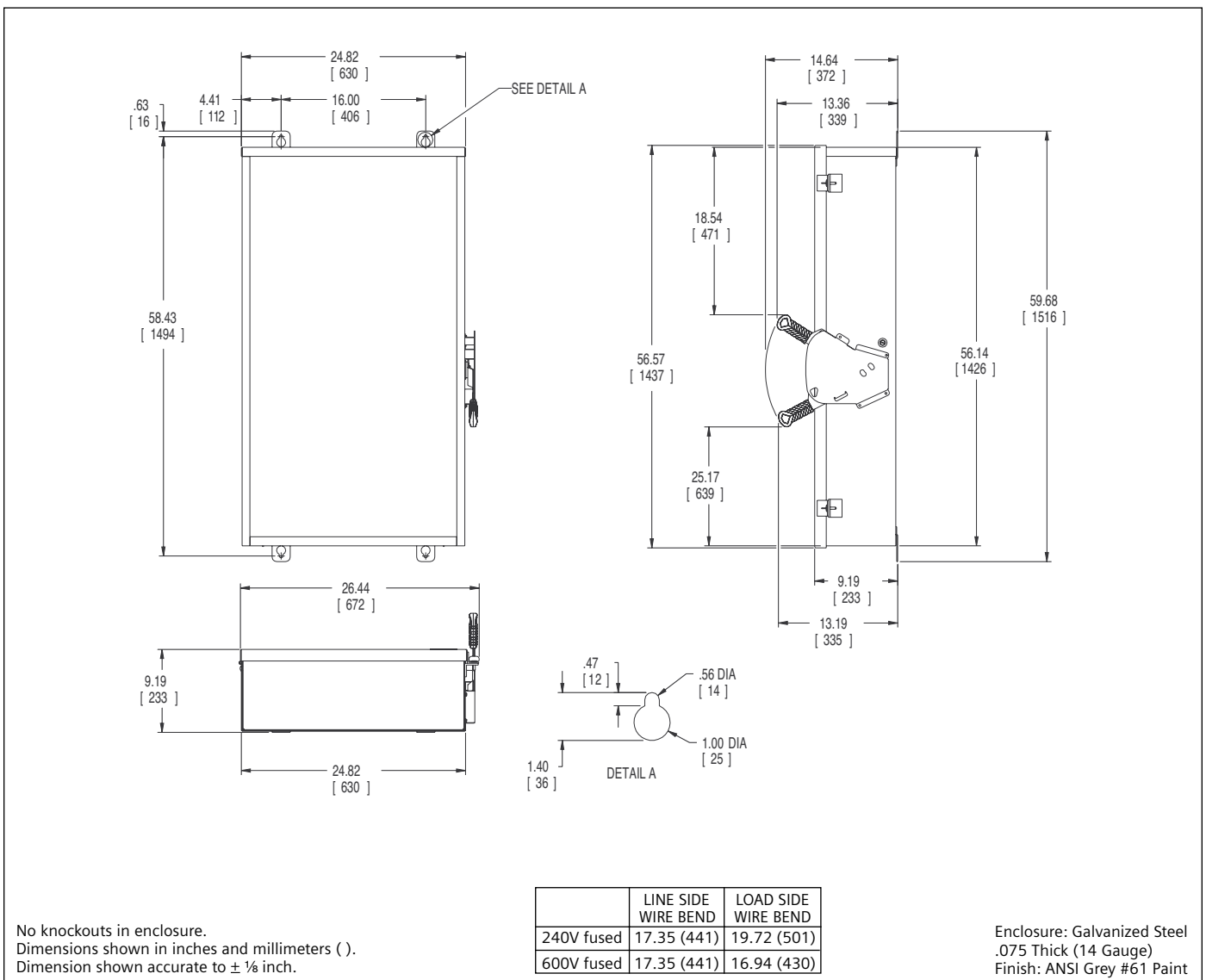
SIEMENS

Product Specification Sheet #HD400.4 (page 2)

Compression Lugs ①

Wire Size	Burndy		Thomas-Betts		IIsco	
	CU ONLY	CU/AL	CU ONLY	CU/AL	CU ONLY	CU/AL
2/0	YA26-N	YA26-A1	54160 54951BE			IACL-2/0 ACN-2/0
3/0	YA27-L Box YA27	YA27A3	54165-TB 54965BE		CRB-3/0 CRB-3/OL	IACL-3/0 ACN-3/0
4/0	YA28-L Box YA28	YA28A3	54170 54970BE	60150	CRB-4/0 CRB-4/OL	IACL-4/0 ACN-4/0
250 Kcmil	YA29-L Box YA29	YA29A1	54113 54913BE	61156 60156	CRA-250 CRA-250L	IACL-250 ACL-250
300 Kcmil	YA30-L YA30	YA30A1	54114 54914BE	61162 60162	CRA-300 CRA-300L	IACL-300 ACL-300
350 Kcmil	YA31-L YA31	YA31A1	54915BE	61165 60165	CRA-350 CRA-350L	IACL-350 ACL-350
400 Kcmil	YA32-N		54116 54916BE			
500 Kcmil	YA34-L6 YA34-N			61171		IACL-500

Dimension Drawing



① If compression lugs are used, order compression lug mounting kit HCL65.

Siemens Energy & Automation, Inc.
Distribution Products Division
3333 Old Milton Parkway
Alpharetta, GA 30005

For Nearest Sales Office
1.800.964.4114
www.sea.siemens.com/sales/salesoffices.html

For Product Information
1.800.964.4114
www.sea.siemens.com/power

©Siemens Energy & Automation, Inc.
Siemens is a registered trademark of Siemens AG
Specifications are subject to change without notice.

1M0805 B&A Printed in U.S.A.