

4.3 3SU10 devices for use on 3-slot holder

4.3.1 22.5 mm pushbuttons

Pushbuttons are used to actuate contact modules and allow short-time contact or permanent closing / opening of a contact element. The buttons can be replaced from the front by the user.

Pushbuttons are available in different variants according to the following features:

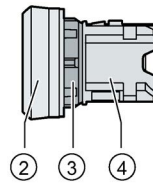
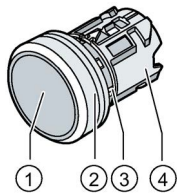
- Height of button
- Height of front ring
- Collar and front ring material
- Colors of the buttons
- Switching function: momentary contact variants and latching variants

For further information refer to Chapters "Mounting (Page 110)", "22.5 mm pushbuttons with standard inscription (Page 101)" and "Accessories (Page 339)"

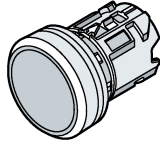
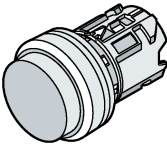
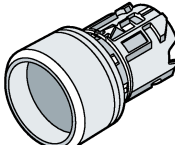
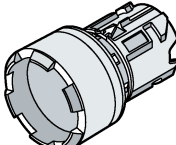
3SU1 range of devices

4.1 Types of 3SU1 actuating elements and signaling elements

4.1.1 Design of a 3SU1 actuating or signaling element



- ① Actuator (in this case: pushbutton)
- ② Front ring
- ③ Seal
- ④ Collar

Pushbuttons				
				
Flat button Flat front ring	Raised button Flat front ring	Flat button Raised front ring	Flat button Raised, castellated front ring	
Collar / Front ring material	Article number			
Plastic / Plastic				
Siemens Industry Mall (http://mall.industry.siemens.com/mall/en/en/Catalog/Products/10221475)				
• Black	3SU1000-0Ax10-0AA0	3SU1000-0Bx10-0AA0	3SU1000-0Cx10-0AA0	3SU1000-0DB10-0AA0
• Red	3SU1000-0Ax20-0AA0	3SU1000-0Bx20-0AA0	3SU1000-0Cx20-0AA0	3SU1000-0DB20-0AA0
• Yellow	3SU1000-0Ax30-0AA0	3SU1000-0Bx30-0AA0	3SU1000-0Cx30-0AA0	3SU1000-0DB30-0AA0
• Green	3SU1000-0Ax40-0AA0	3SU1000-0Bx40-0AA0	3SU1000-0Cx40-0AA0	3SU1000-0DB40-0AA0
• Blue	3SU1000-0Ax50-0AA0	3SU1000-0Bx50-0AA0	3SU1000-0Cx50-0AA0	3SU1000-0DB50-0AA0
• White	3SU1000-0Ax60-0AA0	3SU1000-0Bx60-0AA0	3SU1000-0Cx60-0AA0	3SU1000-0DB60-0AA0
• Clear	3SU1000-0AB70-0AA0	—	—	—
Plastic / Metal, matte				
Siemens Industry Mall (http://mall.industry.siemens.com/mall/en/en/Catalog/Products/10226610)				
• Black	3SU1030-0Ax10-0AA0	3SU1030-0Bx10-0AA0	3SU1030-0Cx10-0AA0	—
• Red	3SU1030-0Ax20-0AA0	3SU1030-0Bx20-0AA0	3SU1030-0Cx20-0AA0	—
• Yellow	3SU1030-0Ax30-0AA0	3SU1030-0Bx30-0AA0	3SU1030-0Cx30-0AA0	—
• Green	3SU1030-0Ax40-0AA0	3SU1030-0Bx40-0AA0	3SU1030-0Cx40-0AA0	—
• Blue	3SU1030-0Ax50-0AA0	3SU1030-0Bx50-0AA0	3SU1030-0Cx50-0AA0	—
• White	3SU1030-0Ax60-0AA0	3SU1030-0Bx60-0AA0	3SU1030-0Cx60-0AA0	—
• Clear	3SU1030-0AB70-0AA0	—	—	—

Metal / Metal				
Siemens Industry Mall (http://mall.industry.siemens.com/mall/en/en/Catalog/Products/10221476)				
• Black	3SU1050-0Ax10-0AA0	3SU1050-0Bx10-0AA0	3SU1050-0Cx10-0AA0	—
• Red	3SU1050-0Ax20-0AA0	3SU1050-0Bx20-0AA0	3SU1050-0Cx20-0AA0	—
• Yellow	3SU1050-0Ax30-0AA0	3SU1050-0Bx30-0AA0	3SU1050-0Cx30-0AA0	—
• Green	3SU1050-0Ax40-0AA0	3SU1050-0Bx40-0AA0	3SU1050-0Cx40-0AA0	—
• Blue	3SU1050-0Ax50-0AA0	3SU1050-0Bx50-0AA0	3SU1050-0Cx50-0AA0	—
• White	3SU1050-0Ax60-0AA0	3SU1050-0Bx60-0AA0	3SU1050-0Cx60-0AA0	—
• Clear	3SU1050-0AB70-0AA0	—	—	—

x: A = latching (push to unlatch)

x: B = momentary contact

Note

Not all combinations listed in the tables are available. In the case of special versions, please consult Technical Assistance, or initiate a P1000 request.

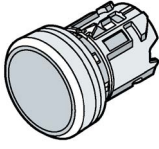
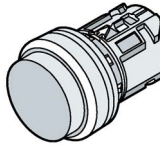
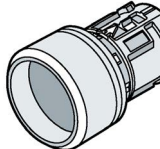
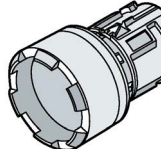
4.3.2 22.5 mm illuminated pushbuttons

Illuminated pushbuttons are used to actuate contact modules and can also function as display devices by means of an LED module. A variant with a fixed pushbutton can be used as an indicator light. The buttons can be replaced from the front by the user.

The illuminated pushbuttons are available in different variants according to the following features:

- Height of button
- Collar and front ring material
- Colors of the buttons
- Switching function: momentary contact variants and latching variants.
- Illumination

You will find additional information in Chapters "Mounting (Page 110)" and "Accessories (Page 339)"

Illuminated pushbuttons				
				
	Flat button Flat front ring	Raised button Flat front ring	Flat button Raised front ring	Flat button Raised, castellated front ring
Collar / Front ring material	Article number			
Plastic / Plastic				
Siemens Industry Mall (https://mall.industry.siemens.com/mall/en/en/Catalog/Products/10221475)				
• Amber	3SU1001-0Ax00-0AA0	3SU1001-0Bx00-0AA0	—	—
• Red	3SU1001-0Ax20-0AA0	3SU1001-0Bx20-0AA0	3SU1001-0BB20-0AA0	—
• Yellow	3SU1001-0Ax30-0AA0	3SU1001-0Bx30-0AA0	3SU1001-0BB30-0AA0	—
• Green	3SU1001-0Ax40-0AA0	3SU1001-0Bx40-0AA0	3SU1001-0BB40-0AA0	—
• Blue	3SU1001-0Ax50-0AA0	3SU1001-0Bx50-0AA0	3SU1001-0BB50-0AA0	—
• White	3SU1001-0Ax60-0AA0	3SU1001-0Bx60-0AA0	—	—
• Clear	3SU1001-0Ax70-0AA0	3SU1001-0Bx70-0AA0	3SU1001-0BB70-0AA0	3SU1001-0DB50-0AA0
Plastic / Metal, matte				
Siemens Industry Mall (https://mall.industry.siemens.com/mall/en/en/Catalog/Products/10221475)				
• Amber	3SU1031-0Ax00-0AA0	3SU1031-0Bx00-0AA0	—	—
• Red	3SU1031-0Ax20-0AA0	3SU1031-0Bx20-0AA0	3SU1031-0BB20-0AA0	—
• Yellow	3SU1031-0Ax30-0AA0	3SU1031-0Bx30-0AA0	3SU1031-0BB30-0AA0	—
• Green	3SU1031-0Ax40-0AA0	3SU1031-0Bx40-0AA0	3SU1031-0BB40-0AA0	—
• Blue	3SU1031-0Ax50-0AA0	3SU1031-0Bx50-0AA0	3SU1031-0BB50-0AA0	—
• White	3SU1031-0Ax60-0AA0	3SU1031-0Bx60-0AA0	—	—
• Clear	3SU1031-0Ax70-0AA0	3SU1031-0Bx70-0AA0	3SU1031-0BB70-0AA0	—

Metal / Metal				
Siemens Industry Mall (https://mall.industry.siemens.com/mall/en/en/Catalog/Products/10221475)				
• Amber	3SU1051-0Ax00-0AA0	3SU1051-0Bx00-0AA0	—	—
• Red	3SU1051-0Ax20-0AA0	3SU1051-0Bx20-0AA0	3SU1051-0BB20-0AA0	—
• Yellow	3SU1051-0Ax30-0AA0	3SU1051-0Bx30-0AA0	3SU1051-0BB30-0AA0	—
• Green	3SU1051-0Ax40-0AA0	3SU1051-0Bx40-0AA0	3SU1051-0BB40-0AA0	—
• Blue	3SU1051-0Ax50-0AA0	3SU1051-0Bx50-0AA0	3SU1051-0BB50-0AA0	—
• White	3SU1051-0Ax60-0AA0	3SU1051-0Bx60-0AA0	—	—
• Clear	3SU1051-0Ax70-0AA0	3SU1051-0Bx70-0AA0	3SU1051-0BB70-0AA0	—

x: A = latching (push to unlatch)

x: B = momentary contact

Note

Not all combinations listed in the table are available. In the case of special versions, please consult Technical Assistance, or initiate a P1000 request.

4.3.18.2 Twin pushbuttons with standard inscription

Twin pushbuttons are used to actuate contact modules and can also function as display devices. Thanks to separate actuating surfaces, it is possible to switch up to 2 independent module positions separately using only one command point. The switching function of all versions of the twin pushbuttons is latching.

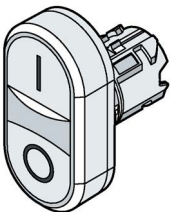
For further information refer to Chapters "Twin pushbuttons (Page 54)" and "Mounting (Page 110)".

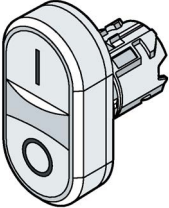
With standard installation (arrow on collar at the top), the upper button always has the first specified color and the lower button the second specified color. The same principle is used with the button heights. The first specified height refers to the top button, and the second specified height to the lower button.

Example: 3SU1051-3BB42-0AA0

Top button = green and flat

Lower button = red and raised

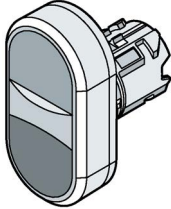
		Twin pushbuttons flat / flat	Twin pushbuttons flat / raised
	Typical diagram		
Collar / Front ring material	Inscription	Article number	
Plastic / Plastic			
Siemens Industry Mall (http://mall.industry.siemens.com/mall/en/en/Catalog/Products/10221485)			
• Black / Black	Symbol No. 5264 / 5265 (IEC 60417)	3SU1000-3AB11-0AQ0	---
• Green / Red	I / O	3SU1000-3AB42-0AK0	3SU1000-3BB42-0AK0
• White / Black	I / O	3SU1000-3AB61-0AK0	3SU1000-3BB61-0AK0
• White / White	- / +	3SU1000-3AB66-0AL0	---
	Arrows, horizontal	3SU1000-3AB66-0AM0	---
	Arrows, vertical	3SU1000-3AB66-0AN0	---
Plastic / Metal, matte			
Siemens Industry Mall (http://mall.industry.siemens.com/mall/en/en/Catalog/Products/10226612)			
• Black / Black	Symbol No. 5264 / 5265 (IEC 60417)	3SU1030-3AB11-0AQ0	---
• Green / Red	I / O	3SU1030-3AB42-0AK0	3SU1030-3BB42-0AK0
• White / Black	I / O	3SU1030-3AB61-0AK0	3SU1030-3BB61-0AK0
• White / White	- / +	3SU1030-3AB66-0AL0	---
	Arrows, horizontal	3SU1030-3AB66-0AM0	---
	Arrows, vertical	3SU1030-3AB66-0AN0	---
Metal / Metal			
Siemens Industry Mall (http://mall.industry.siemens.com/mall/en/en/Catalog/Products/10221486)			
• Black / Black	Symbol No. 5264 / 5265 (IEC 60417)	3SU1050-3AB11-0AQ0	---
• Green / Red	I / O	3SU1050-3AB42-0AK0	3SU1030-3BB42-0AK0
• White / Black	I / O	3SU1050-3AB61-0AK0	3SU1030-3BB61-0AK0
• White / White	- / +	3SU1050-3AB66-0AL0	---
	Arrows, horizontal	3SU1050-3AB66-0AM0	---
	Arrows, vertical	3SU1050-3AB66-0AN0	---

		Twin pushbuttons illuminated flat / flat	Twin pushbuttons illuminated flat / raised
Collar / Front ring material	Inscription	Article number	
Plastic / Plastic Siemens Industry Mall (http://mall.industry.siemens.com/mall/en/en/Catalog/Products/10221485)			
<ul style="list-style-type: none"> Green / Red 	I / O	3SU1001-3AB42-0AK0	3SU1001-3BB42-0AK0
	Arrows, horizontal	3SU1001-3AB42-0AN0	---
<ul style="list-style-type: none"> White / Black 	I / O	3SU1001-3AB61-0AK0	3SU1001-3BB61-0AK0
<ul style="list-style-type: none"> White / White 	- / +	3SU1001-3AB66-0AL0	---
	Arrows, horizontal	3SU1001-3AB66-0AN0	---
	Symbols "Circular saw blade" / "Tilt tipper"	3SU1001-3AB66-0AP0	---
Plastic / Metal, matte Siemens Industry Mall (http://mall.industry.siemens.com/mall/en/en/Catalog/Products/10226612)			
<ul style="list-style-type: none"> Green / Red 	I / O	3SU1031-3AB42-0AK0	3SU1031-3BB42-0AK0
	Arrows, horizontal	3SU1031-3AB42-0AN0	---
<ul style="list-style-type: none"> White / Black 	I / O	3SU1031-3AB61-0AK0	3SU1031-3BB61-0AK0
<ul style="list-style-type: none"> White / White 	- / +	3SU1031-3AB66-0AL0	---
	Arrows, horizontal	3SU1031-3AB66-0AN0	---
	Symbols "Circular saw blade" / "Tilt tipper"	3SU1031-3AB66-0AP0	---
Metal / Metal Siemens Industry Mall (http://mall.industry.siemens.com/mall/en/en/Catalog/Products/10221486)			
<ul style="list-style-type: none"> Green / Red 	I / O	3SU1051-3AB42-0AK0	3SU1051-3BB42-0AK0
	Arrows, horizontal	3SU1051-3AB42-0AN0	---
<ul style="list-style-type: none"> White / Black 	I / O	3SU1051-3AB61-0AK0	3SU1051-3BB61-0AK0
<ul style="list-style-type: none"> White / White 	- / +	3SU1051-3AB66-0AL0	---
	Arrows, horizontal	3SU1051-3AB66-0AN0	---
	Symbols "Circular saw blade" / "Tilt tipper"	3SU1051-3AB66-0AP0	---

Example: 3SU1051-3BB42-0AA0

Top button = green and flat

Lower button = red and raised

 <p>Typical diagram</p>	Twin pushbuttons	Illuminated twin pushbuttons
Collar / Front ring material	Article number	
Plastic / Plastic		
Siemens Industry Mall (http://mall.industry.siemens.com/mall/en/en/Catalog/Products/10221485)		
• Black / Black	3SU1000-3xB11-0AA0	---
• Green / Red	3SU1000-3xB42-0AA0	3SU1001-3xB42-0AA0
• White / Black	3SU1000-3xB61-0AA0	3SU1001-3xB61-0AA0
• White / White	3SU1000-3xB66-0AA0	3SU1001-3xB66-0AA0
Plastic / Metal, matte		
Siemens Industry Mall (http://mall.industry.siemens.com/mall/en/en/Catalog/Products/10226612)		
• Black / Black	3SU1030-3xB11-0AA0	---
• Green / Red	3SU1030-3xB42-0AA0	3SU1031-3xB42-0AA0
• White / Black	3SU1030-3xB61-0AA0	3SU1031-3xB61-0AA0
• White / White	3SU1030-3xB66-0AA0	3SU1031-3xB66-0AA0
Metal / Metal		
Siemens Industry Mall (http://mall.industry.siemens.com/mall/en/en/Catalog/Products/10221486)		
• Black / Black	3SU1050-3xB11-0AA0	---
• Green / Red	3SU1050-3xB42-0AA0	3SU1051-3xB42-0AA0
• White / Black	3SU1050-3xB61-0AA0	3SU1051-3xB61-0AA0
• White / White	3SU1050-3xB66-0AA0	3SU1051-3xB66-0AA0

x: A = twin pushbutton with flat / flat button

x: B = twin pushbutton with flat / raised button

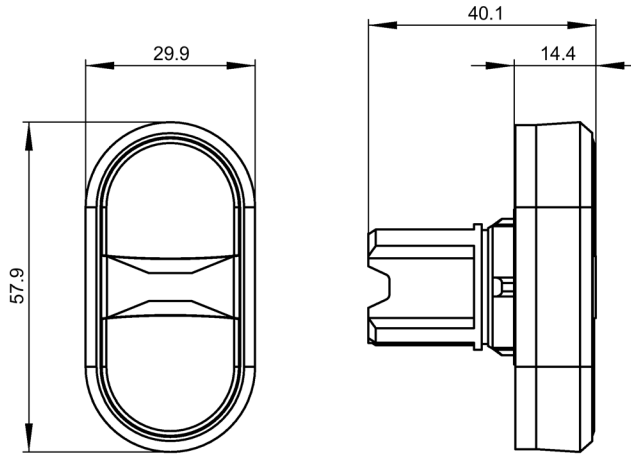
Note

Not all combinations listed in the table are available. In the case of special versions, please consult Technical Assistance, or initiate a P1000 request.

14.2.3 Twin pushbuttons

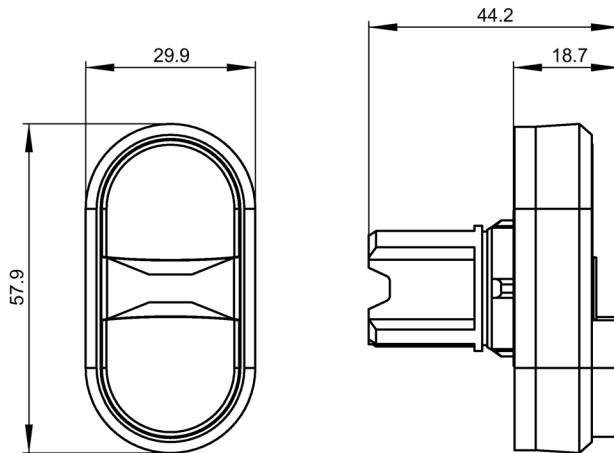
Twin pushbuttons, flat button

Article No.: 3SU1050-3AB42-0AK0,
3SU10(0,3,5)0-3AB(1,4,6)(1,2,6)-0A(A,K,L,M,N,P,Q)0



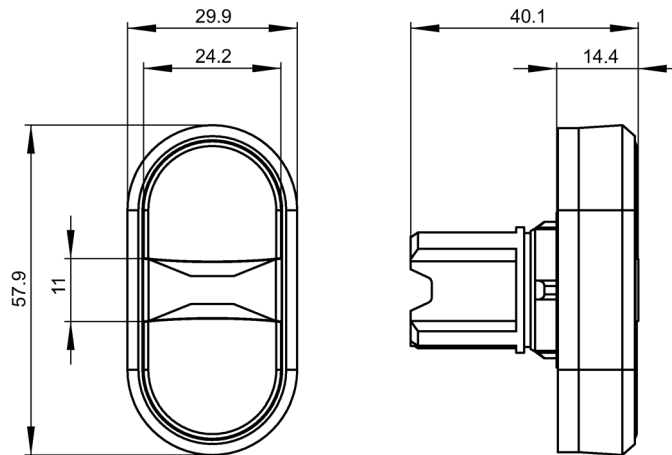
Twin pushbuttons, raised button

Article No.: 3SU1050-3BB42-0AA0,
3SU10(0,3,5)0-3BB(4,6)(1,2)-0A(A,K)0



Twin pushbuttons, flat illuminable button**Article No.: 3SU1001-3AB66-0AA0,**

3SU10(0,3,5)1-3AB(4,6)(1,2,6)-0A(A,K)0

**Twin pushbuttons, raised illuminable button****Article No.: 3SU1001-3BB42-0AA0,**

3SU10(0,3,5)1-3BB(4,6)(1,2)-0A(A,K)0

